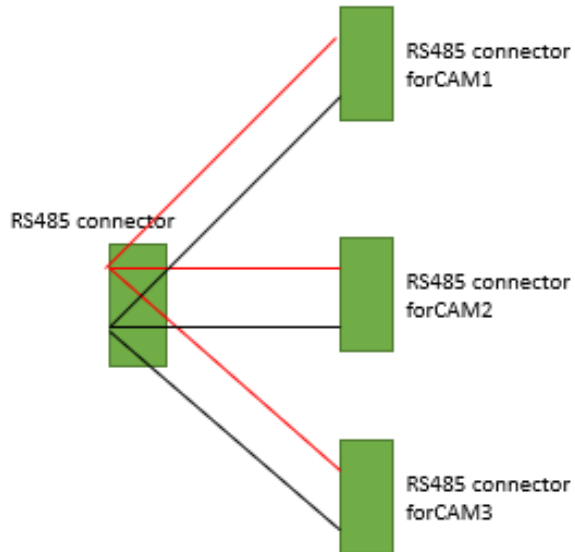


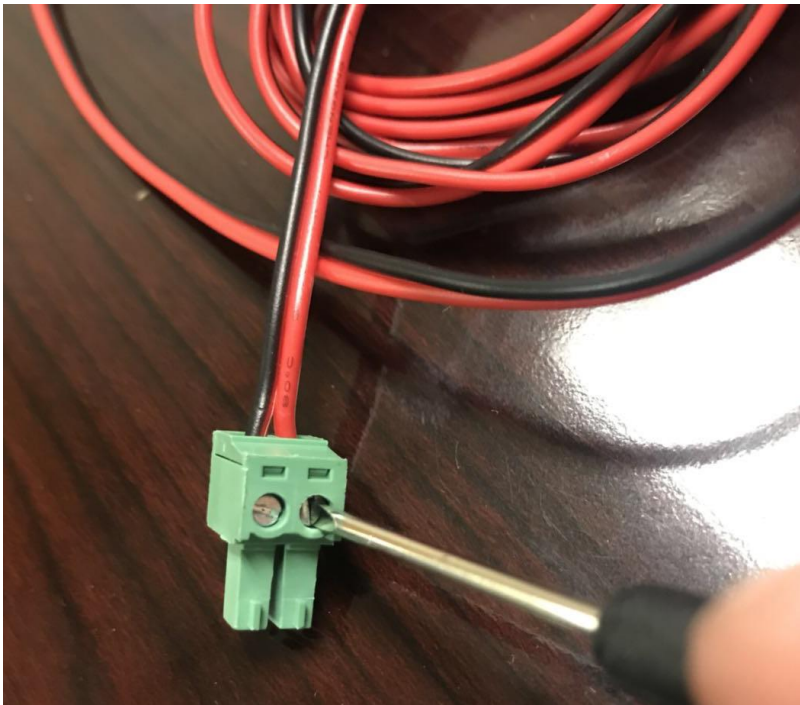
How to make a RS-485 cable for multi-camera control:

To control multiple cameras, you'll need a RS-485 cable like this:

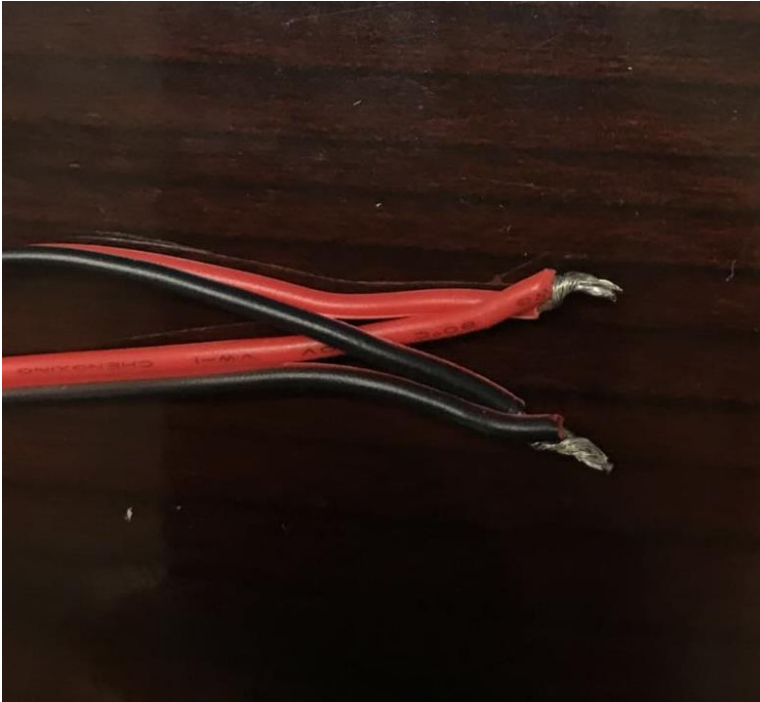


To combine the 3 red/black wires together, you'll need to:

1. Use a screw driver to take off the green connector of each cable



2. Combine the 2 red/black wires together



3. Insert the combined wires back to the connector, tighten the screws.

